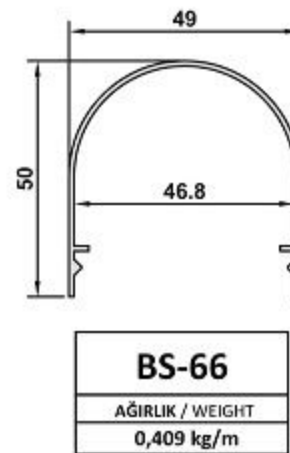
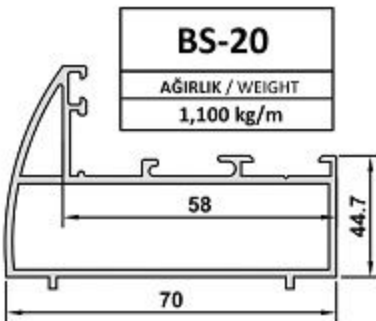
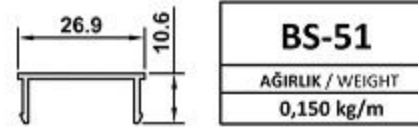
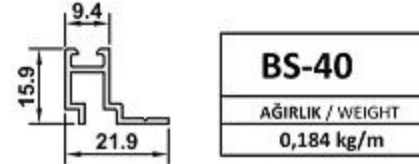
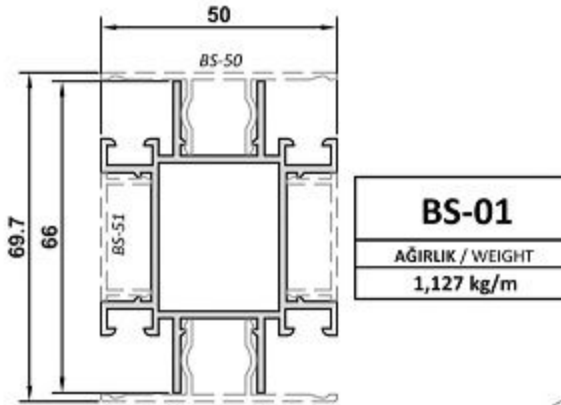
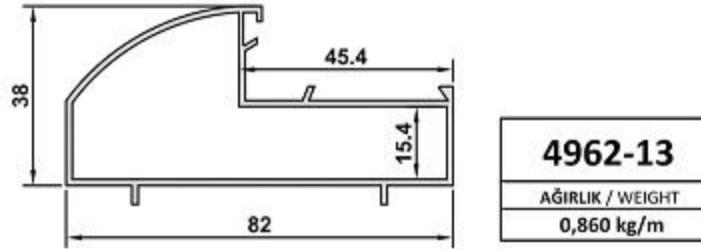
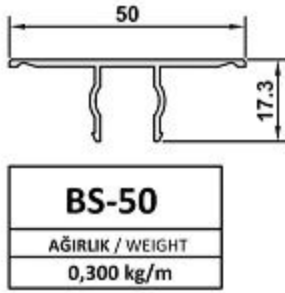
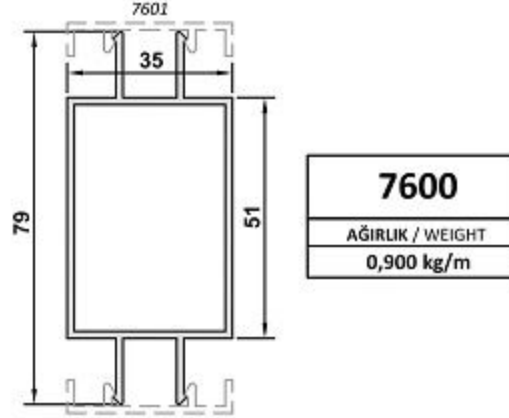
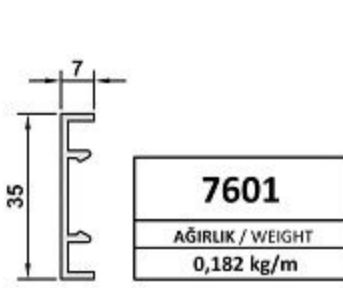


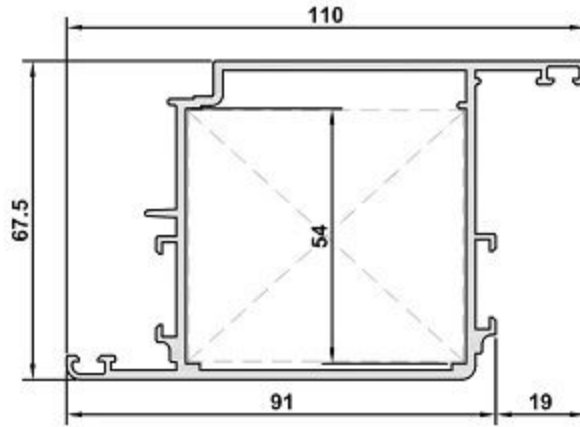
BOB

OFİS BÖLME SİSTEMİ OFFICE PARTITION SYSTEM

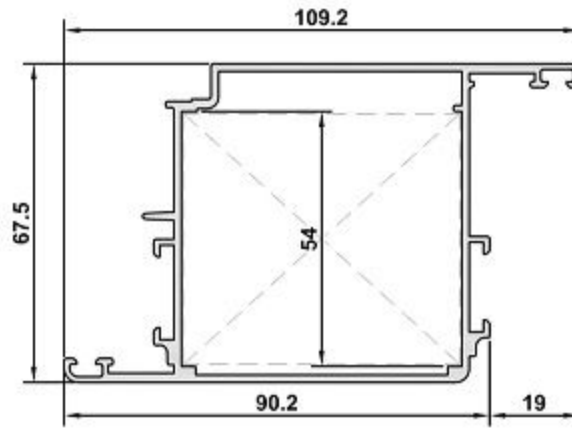
BOB



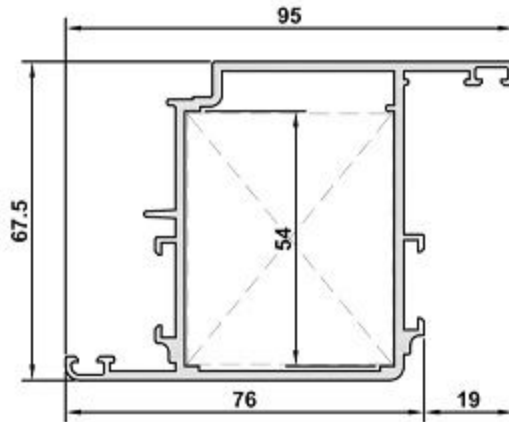
BOB



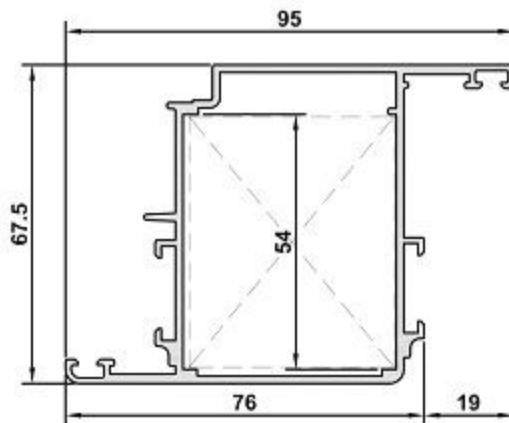
S5637-20		
KÖŞE BAĞLANTILARI CORNER CLEATS AND ALIGNMENTS		
5680-59 (53,5mm)		
Jx (cm ⁴)	Jy (cm ⁴)	y x
37,39	70,81	
AĞIRLIK / WEIGHT		
1,840 kg/m		



S5637-16		
KÖŞE BAĞLANTILARI CORNER CLEATS AND ALIGNMENTS		
5680-59 (53,5mm)		
Jx (cm ⁴)	Jy (cm ⁴)	y x
36,42	69,86	
AĞIRLIK / WEIGHT		
1,570 kg/m		

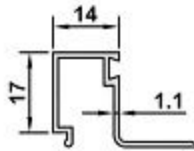
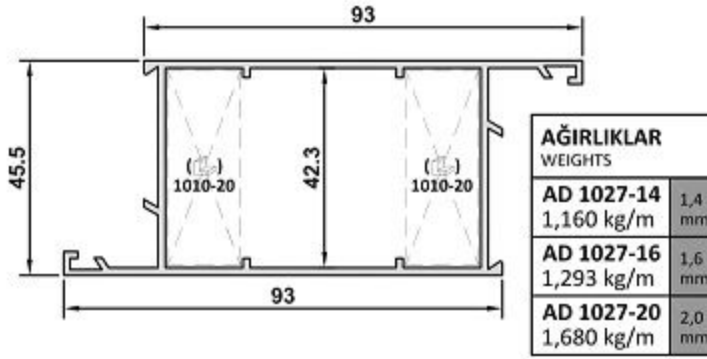
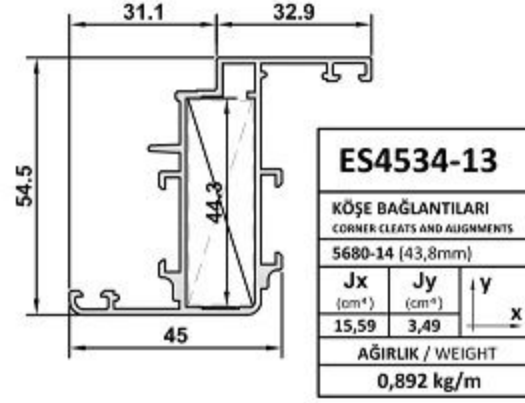
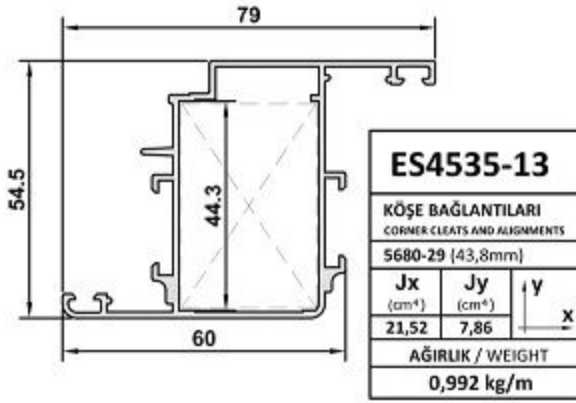
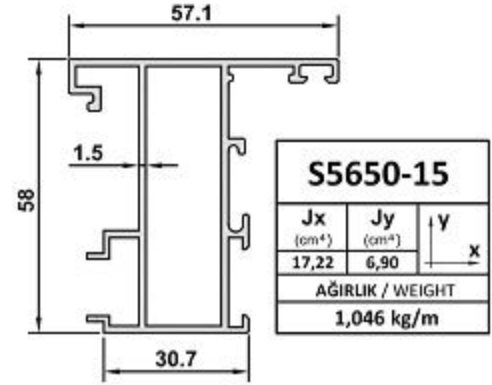
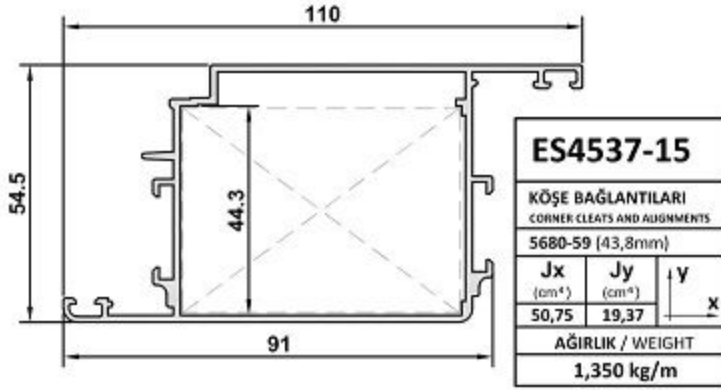


S5636-20		
KÖŞE BAĞLANTILARI CORNER CLEATS AND ALIGNMENTS		
5680-44 (53,5mm)		
Jx (cm ⁴)	Jy (cm ⁴)	y x
25,45	52,17	
AĞIRLIK / WEIGHT		
1,675 kg/m		

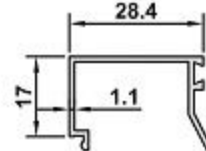


S5636-16		
KÖŞE BAĞLANTILARI CORNER CLEATS AND ALIGNMENTS		
5680-44 (53,5mm)		
Jx (cm ⁴)	Jy (cm ⁴)	y x
24,25	51,15	
AĞIRLIK / WEIGHT		
1,440 kg/m		

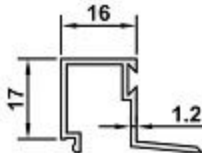
BOB



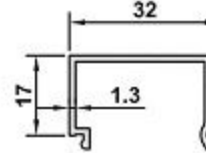
13324
AĞIRLIK / WEIGHT
0,222 kg/m



1002-12
AĞIRLIK / WEIGHT
0,238 kg/m



1017-12
AĞIRLIK / WEIGHT
0,238 kg/m

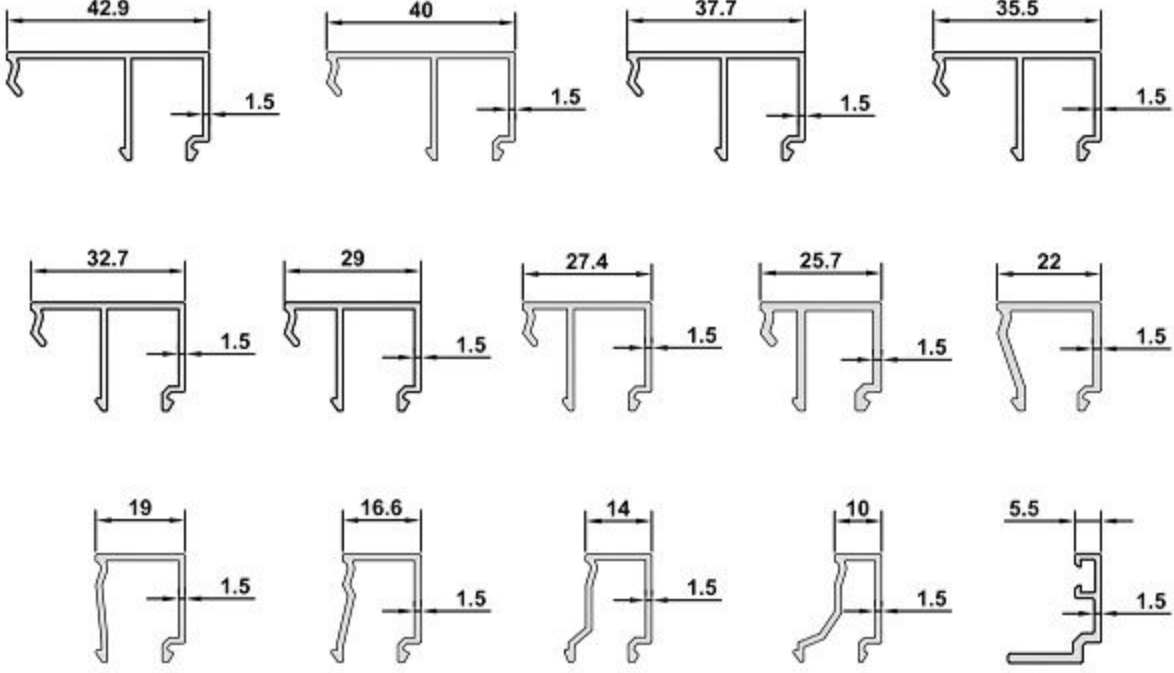


4828-12
AĞIRLIK / WEIGHT
0,270 kg/m

BOB

CAM ÇITALARI

GLAZING BEADS



PROFİL NO PROFILE NO	GENİŞLİK WIDHT (mm)	ET KALINLIĞI WALL THICKNESS (mm)	AĞIRLIK WEIGHT (kg)
5647-15	42,9	1,5	0,393
5649-15	40	1,5	0,393
5646-15	37,7	1,5	0,377
7046-14	35,5	1,5	0,344
6500-14	32,7	1,5	0,336
ES4545-13	30,5	1,5	0,306
5645-15	29	1,5	0,344
5644-15	27,4	1,5	0,304
5643-15	25,7	1,5	0,309
5642-15	22	1,5	0,266
Y55410-15	19	1,5	0,247
5641-15	16,6	1,5	0,245
ES4540-13	14	1,5	0,228
5640-15	10	1,5	0,227
5648-15	5,5	1,5	0,220

BOB

ALÜMİNYUM AKSESUAR PROFİLLERİ PROFILES OF ALUMINIUM ACCESSORIES

